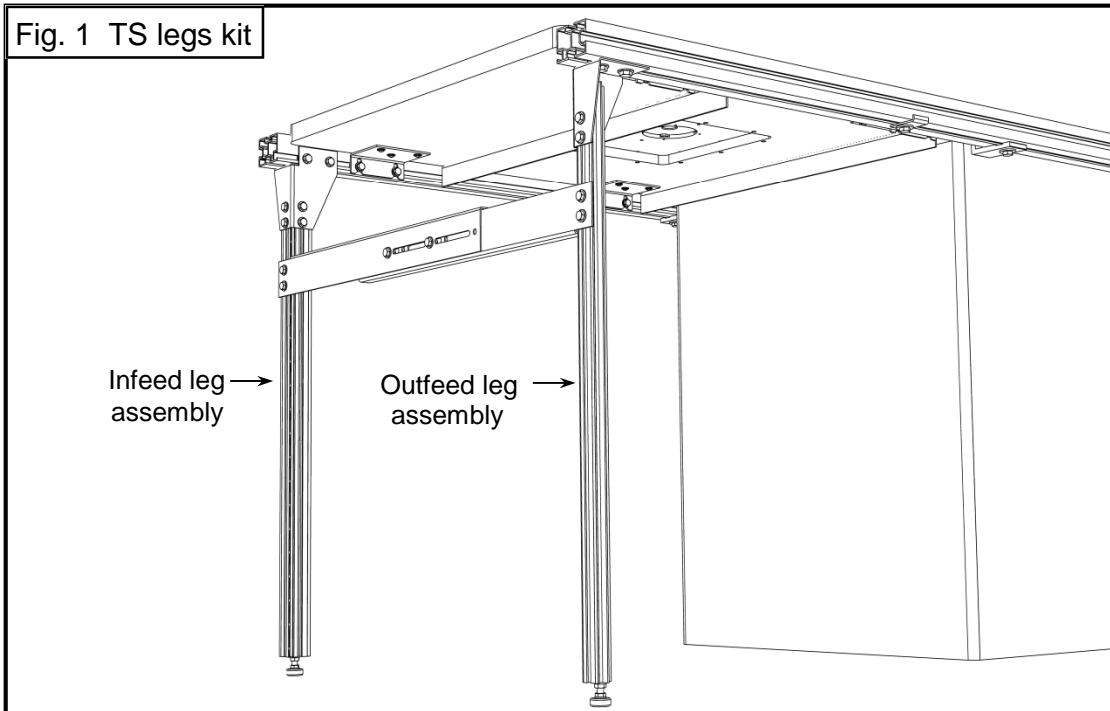


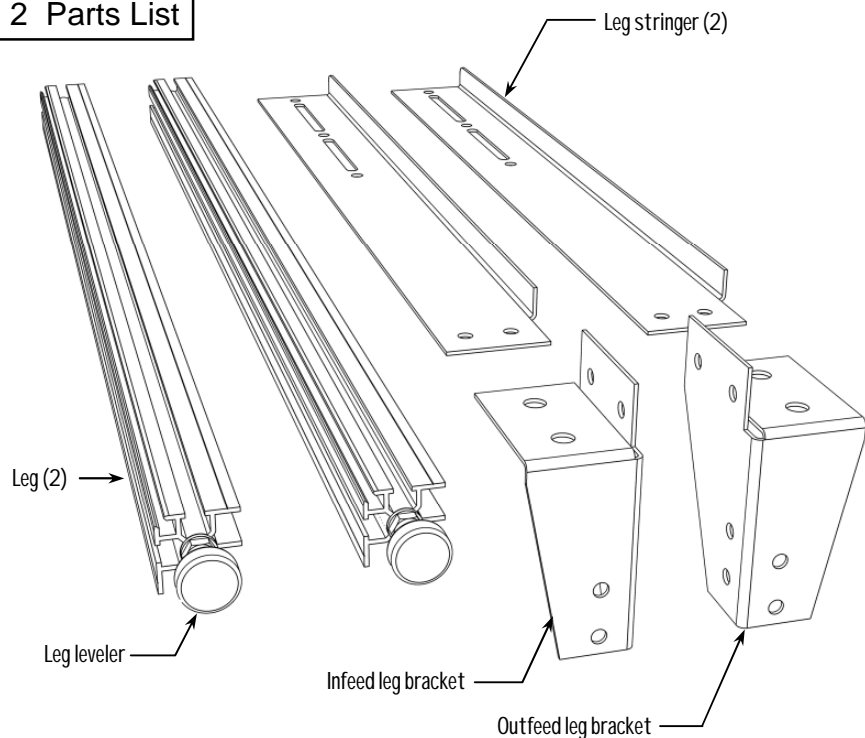
# Assembly Instructions for the *INCRA* TS Legs Kit



## Parts List

- (2) Aluminum legs
- (2) 5/16-18 threaded inserts
- (2) Leg levelers
- (1) Infeed leg bracket
- (1) Outfeed leg bracket
- (2) Leg stringers
- (18) 1/4-20 x 1/2 hex bolt
- (4) 3/8-16 x 1/2 hex bolt
- (14) 1/4 square nut
- (2) 5/16-18 hex nut
- (4) 1/4-20 rectangular nut
- (4) 3/8-16 rectangular nut
- (20) 1/4" washer
- (4) 3/8" washer

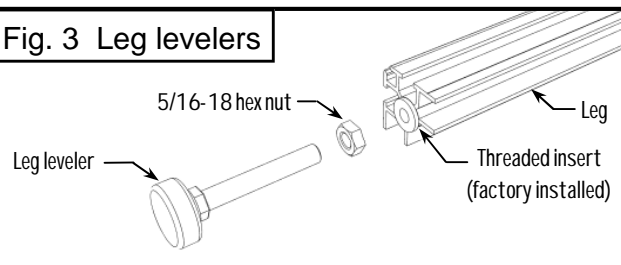
## Fig. 2 Parts List



## Step 1. Assemble the leg levelers

Thread a 5/16-18 hex nut on each leg leveler, then install the leveler into the threaded insert on the bottom of each leg, **Fig 3**.

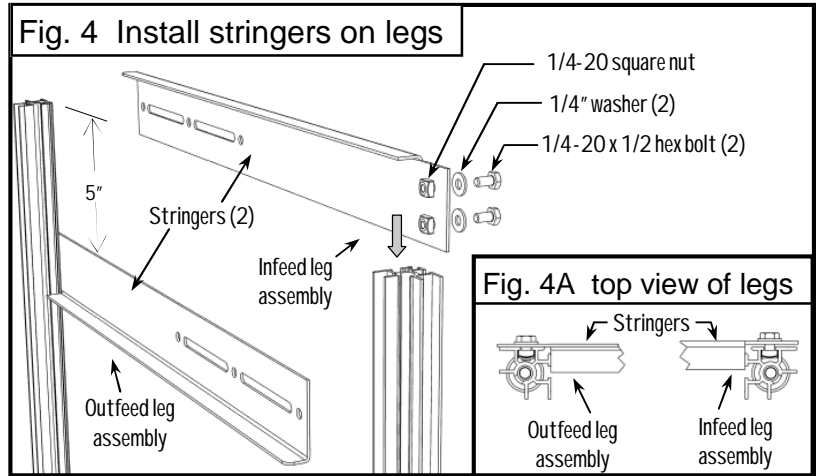
## Fig. 3 Leg levelers



**INCRA**<sup>®</sup>  
[www.incra.com](http://www.incra.com)  
**Made in America by:**  
 Taylor Design Group, Inc.  
 PO Box 810262  
 Dallas, TX 75381  
 Phone: 972-242-9975

**Step 2. Install stringers on legs.**

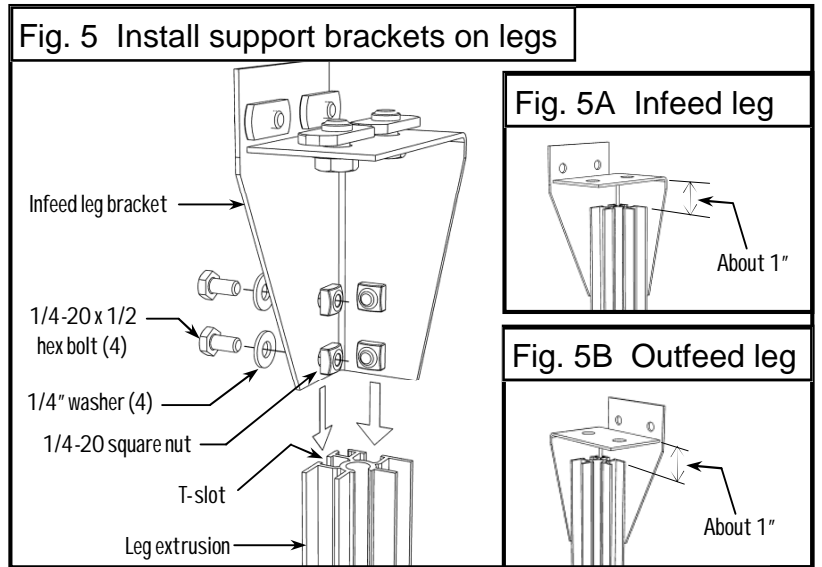
Install 1/4-20 x 1/2 hex bolts, 1/4" washers, and 1/4-20 square nuts in the two holes on the end of each of the (2) identical stringers. Make sure that the square nuts are on the flange side of each stringer. Also make sure that each stringer is flipped 180° relative to the other stringer as shown in **Fig 4**. Now orient the stringers relative to the legs as shown in **Fig. 4A**, and drop them into the T-slots. Position each stringer about 5" below the top of each leg, and finger tighten the bolts.



**Step 3. Install support brackets on legs.**

**NOTE: Infeed and outfeed brackets are mirror images of each other.**

Identify the infeed bracket as shown in **Fig. 5** and install 1/4-20 x 1/2 hex bolts, 1/4" washers, and 1/4-20 square nuts in the (4) lower holes. Now drop the infeed bracket into the T-slots on the infeed leg assembly (**See Fig. 4 & Fig 4A**). Position the bracket about 1" from the top of the leg as shown in **Fig. 5A**, and finger tighten all 4 bolts. Now repeat for the outfeed bracket.



**Step 4. Install legs on rails.**

As shown in **Fig. 6**, install the 1/4-20 fasteners in the vertical flanges, and the 3/8-16 fasteners in the horizontal flanges of the infeed and outfeed leg support brackets. Orient both leg assemblies as shown, then slide them into the T-slots on the TS Rails. The final position of the legs should be within an inch or two from the end of the rails. Now connect the two leg stringers with the 1/4-20 fasteners as indicated. Firmly tighten ALL of the bolts. Now adjust the height of the leg levelers as needed to support the TS rails. For taller table saws, you can get more vertical adjustability by lowering the legs relative to the leg support brackets.

