

INCRA Special Edition Mast-R-Lift Manufactured by JessEm

Your new Mast-R-Lift is a Special Edition Model manufactured to INCRA's custom specifications by JessEm Tool Company. Here are the special features that are included:

1. Incorporates INCRA's new 5-ring solid steel **MagnaLOCK Ring Insert System** in place of the 1-ring Tab-Loc ring insert system included with the standard model.
2. Incorporates INCRA's new CamLOCK plate locking system.
3. Incorporates INCRA's new Dual Plate Leveling System that works in all INCRA Router Tables, as well as most other router tables designed for 9 1/4" by 11 3/4" router plate inserts.

Please read the instructions below for complete details on how to use all of these special features.

MagnaLOCK Ring Insert System:

CAUTION: Always keep hands safely clear of the router bit when installing or changing ring inserts.

Step 1. Install Magna-LOCK Ring Insert.

Orient the ring insert relative to the router plate as shown in **Fig. 5** and **Fig. 6**, then lower into the plate recess. The (4) rare earth magnets are extremely powerful, and the ring insert will SNAP into place.

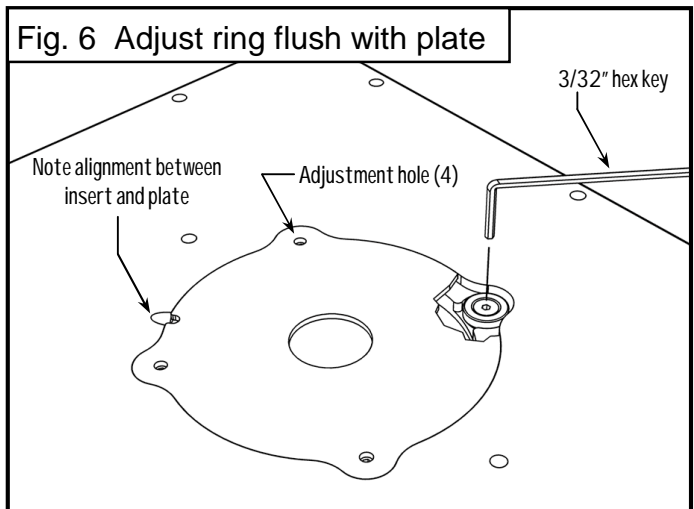
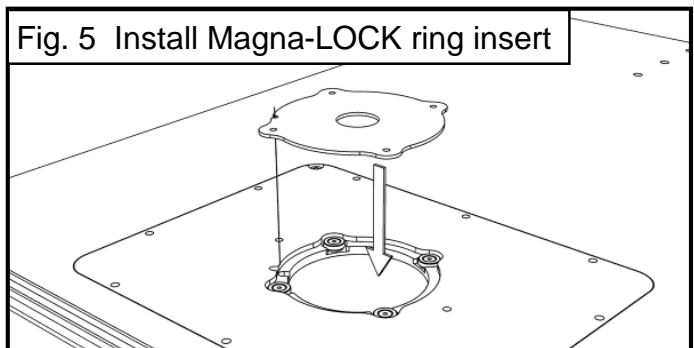
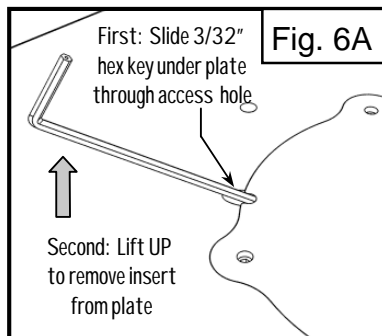
TIP: The insert is keyed to fit only one way. If it doesn't align on the first try, flip it over and try again.

Step 2. Adjust ring levelers.

With the ring insert in place, insert the 3/32" hex key into the four adjustment holes, and adjust as needed to level the insert flush with the top surface of the plate, **Fig. 6**.

To remove the ring insert, slide the 3/32" hex key under the access hole, and lift up, **Fig 6A**.

DO NOT push downward on the hex key to remove the insert, because this can mar the surface of the router plate. Lift upwards instead.



More on other side

Dual Plate Leveling System and CamLOCK Locking System for INCRA Router Tables:

Step 1. Install Magna-LOCK plate in router cutout.

Rotate the cam screw in one corner with the 1/8" hex key until the head clears the inside of the plate recess **AND** the head is **JUST BELOW** the top surface of the plate, **Fig 2A**. Now orient the plate as shown in **Fig. 2**, and lower it into the table. **DO NOT** tighten the cam screw yet.

Step 2. Adjust plate levelers for INCRA tables.

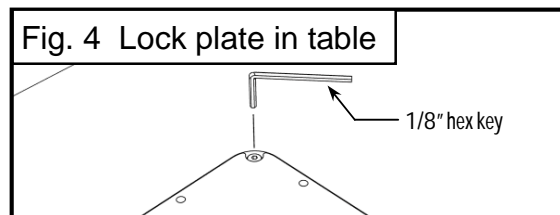
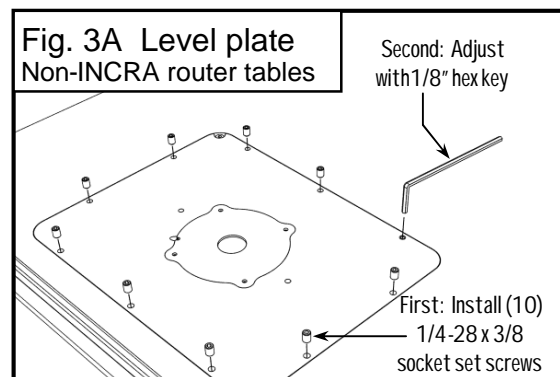
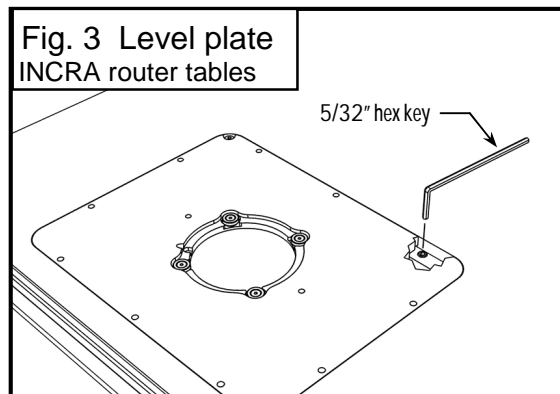
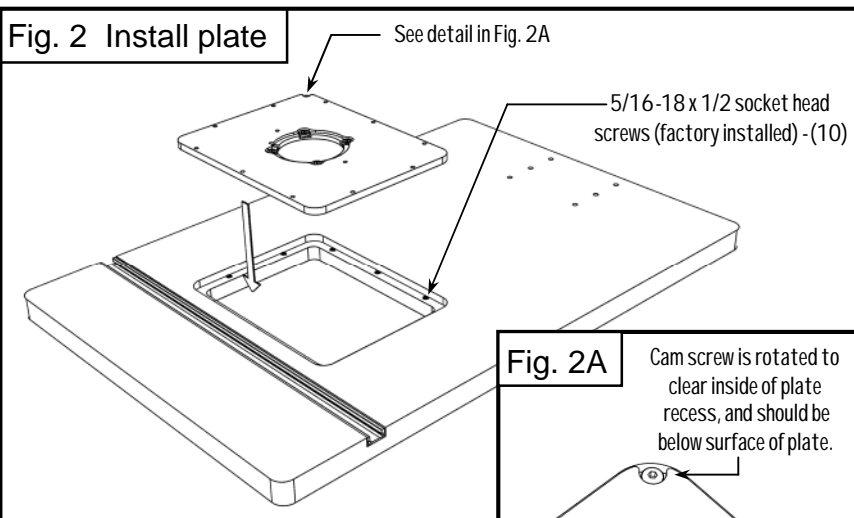
Using the 5/32" hex key, adjust the (10) 5/16-18 x 1/2 socket head screws to level the plate flush with the top surface of the router table, **Fig. 3**.

Step 2A. Adjust plate levelers for Non-INCRA tables.

First install the (10) 1/4-28 x 3/8 socket set screws in the plate. Then, using the 1/8" hex key, adjust all (10) of these set screws to level the plate flush with the top surface of the router table, **Fig. 3A**.

Step 3. Lock plate in table.

Turn the cam screw clockwise to firmly lock plate in the table, **Fig. 4**. Only light clamping pressure is needed to immobilize plate. **Do not over tighten**. Be sure the cam screw is below the surface of the plate, but not so far down that it is bottomed out.



INCRA® Made in America by:
 Taylor Design Group, Inc.
 www.incra.com PO Box 810262
 Dallas, TX 75381
 Phone: 972-242-9975